

KITZ

Stainless Steel Bellows Seal Globe Valves

Absolutely no stem leakage
at any service condition



KITZ CORPORATION

How can valves contribute to protect our global environment

KITZ Stainless Steel Bellows

No stem leakage

The stem area is sealed double with a formed multi-ply bellows and gland packing, which completely prevent stem leakage of toxic fluids.

Absolutely zero stem leakage

Saving manufacturing costs

No loss of the line fluid through stem area will increase your productivity.

Wide range of applications

With high corrosion resistant valve bodies made of austenitic stainless steel and leak-free stem design, valves are almighty to handle toxic or inflammable fluids, steam and heat transfer media, as well as vacuum service.

Easy maintenance

Gland retightening and packing replacement are not required, minimizing troublesome maintenance works.

Protection of the quality of line fluids

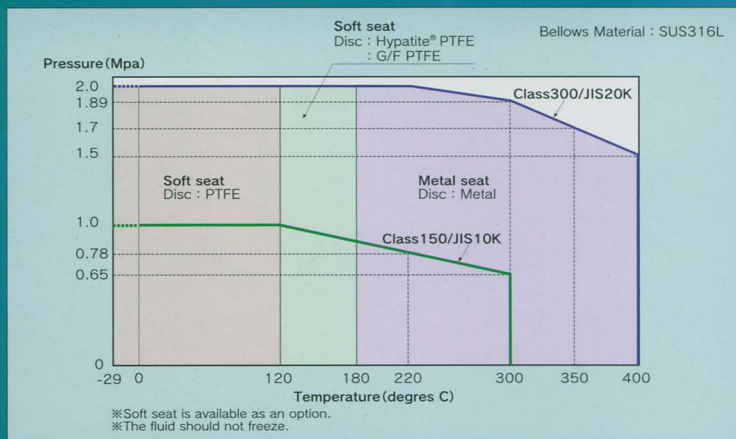
Fluids are not in direct contact with an atmosphere, and protected from the contamination caused by foreign objects.

Lower operation torque

Since gland retightening is not required, stem rotation is not disturbed with the load of gland packing. Thus valves can be operated with minimized torque.

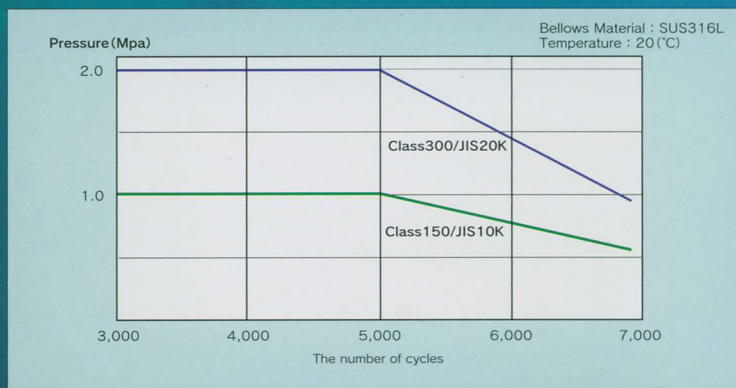
Pressure-Temperature Ratings

The pressure-temperature ratings are limited by body ratings and the durability of bellows. Contact us if service condition may exceed the limits indicated here.



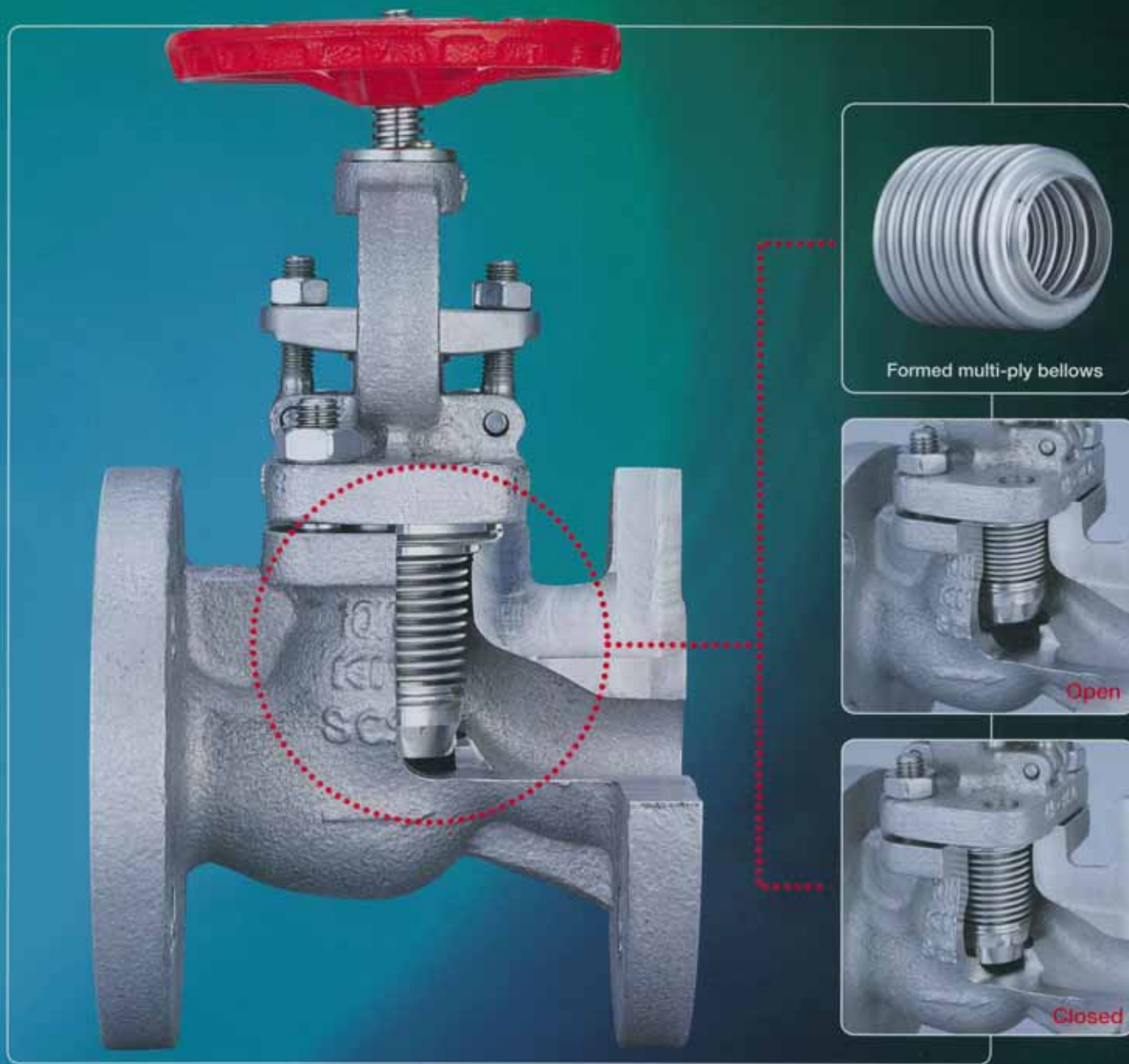
Relations between service pressure and lifecycle

The graph indicates the relations between the service pressure and the lifecycle of bellows. The life of bellows is determined by the actual service pressure and the number of operation. (MSS SP 117 Compliance)



or the future?

Seal Globe Valves



Cautions

- Take appropriate preventive measures when freezing is expected.
- Protect valves from impact pressure, such as water hammer.
- DO NOT install valves where excessive vibration is expected.
- Take appropriate measures to protect bellows from highly viscous or solidifiable fluids.

KITZ was awarded certificates to ISO 14001, the standard of environmental management systems.

We believe that we need to get down to addressing environmental issues as part of our social responsibility. So we have conducted various activities to improve the environment, starting with obtaining a ISO 14001 certificate for Nagasaka Plant in January 1999, followed by Ina Plant in January 2000, Suwa and Chino Plants in March 2001.

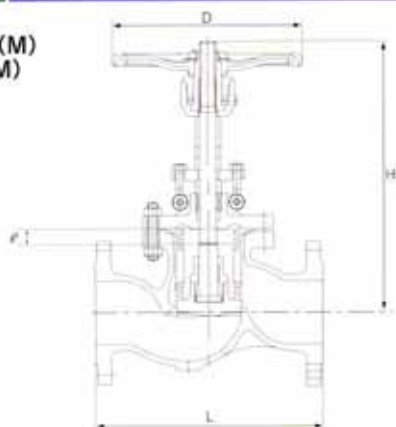
We will continue to carry out our mission to make the environment better, aiming to be an environment-friendly corporation.



* This illustration introduces a typical construction
Refer to the approval drawings for more details.

Class150/JIS10K Stainless Steel Bellows Seal Globe Valves

Product Code :
Class 150 : **150UPAW(M)**
J I S 10K : **10UPAW(M)**



Dimensions

| Size | Unit : mm | | | | | | | | | | |
|---------|-----------|-----|-----|-------|-----|-------|-----|-----|-----|-----|-----|
| | A | 15 | 20 | 25 | 40 | 50 | 65 | 80 | 100 | 125 | 150 |
| B | 1 1/2 | 3/4 | 1 | 1 1/2 | 2 | 2 1/2 | 3 | 4 | 5 | 6 | |
| L | 108 | 117 | 127 | 165 | 203 | 216 | 241 | 292 | 356 | 356 | |
| H(Open) | 166 | 166 | 169 | 201 | 231 | 244 | 283 | 363 | 425 | 425 | |
| D | 90 | 90 | 100 | 140 | 160 | 180 | 200 | 225 | 250 | 250 | |
| ℓ | 6 | 6 | 8 | 12 | 14 | 16 | 20 | 25 | 32 | 32 | |

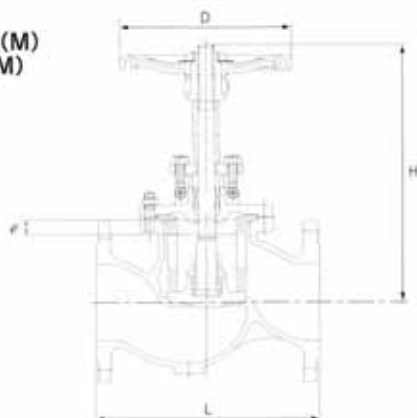
Standard materials of parts

| Parts | Materials |
|---------------|-------------------------------------|
| Body | SCS13A(SCS14) *1 |
| Bonnet | SCS13A(SCS14) *1 |
| Stem | SUS304 |
| Disc | SUS316 or SCS14A*2 |
| Gland | SUS304 |
| Gland packing | Flexible graphite |
| Gasket | Flexible graphite sheet |
| Gasket | Spiral wound metal, graphite filled |
| Bellows | SUS316L |
| Bonnet bolt | SUS304 |
| Bonnet nut | SUS304 |
| Handwheel | FCD400-15 |

*1 A material shown within parentheses is for 10UPAWM/150UPAWM
*2 Soft seat is available

Class300/JIS20K Stainless Steel Bellows Seal Globe Valves

Product Code :
Class 300 : **300UPAW(M)**
J I S 20K : **20UPAW(M)**



Dimensions

| Size | Unit : mm | | | | | | | | | | |
|---------|-----------|-----|-----|-------|-----|-------|-----|-----|-----|-----|-----|
| | A | 15 | 20 | 25 | 40 | 50 | 65 | 80 | 100 | 125 | 150 |
| B | 1 1/2 | 3/4 | 1 | 1 1/2 | 2 | 2 1/2 | 3 | 4 | 5 | 6 | |
| L | 152 | 178 | 203 | 229 | 267 | 292 | 318 | 356 | 400 | 444 | |
| H(Open) | 184 | 184 | 185 | 234 | 287 | 293 | 402 | 435 | 538 | 606 | |
| D | 100 | 100 | 100 | 160 | 180 | 200 | 250 | 300 | 350 | 400 | |
| ℓ | 6 | 6 | 8 | 12 | 14 | 16 | 20 | 25 | 32 | 38 | |

Standard materials of parts

| Parts | Materials |
|---------------|-------------------------------------|
| Body | SCS13A(SCS14) *1 |
| Bonnet | SCS13A(SCS14) *1 |
| Stem | SUS304 |
| Disc | SUS316 or SCS14A*2 |
| Gland | SUS304 |
| Gland packing | Flexible graphite |
| Gasket | Flexible graphite sheet |
| Gasket | Spiral wound metal, graphite filled |
| Bellows | SUS316L |
| Bonnet bolt | SUS304 |
| Bonnet nut | SUS304 |
| Handwheel | FCD400-15 |

*1 A material shown within parentheses is for 20UPAWM/300UPAWM
*2 Soft seat is available

CAUTION

Pressure-temperature ratings and other performance data published in this catalog have been developed from our design calculation, in-house testing, field reports provided by our customers and/or published official standards or specifications. They are good only to cover typical applications as a general guideline to users of KITZ products introduced in this catalog.

For any specific application, users are kindly requested to contact KITZ Corporation for technical advice, or to carry out their own study and evaluation for proving suitability of these products to such an application. Failure to follow this request could result in property damage and/or personal injury, for which we shall not be liable.

While this catalog has been compiled with the utmost care, we assume no responsibility for errors, impropriety or inadequacy. Any information provided in this catalog is subject to from-time-to-time change without notice for error rectification, product discontinuation, design modification, new product introduction or any other cause that KITZ Corporation considers necessary. This edition cancels all previous issues.

This product is classified as strategic materials stipulated by the Foreign Exchange and Foreign Trade Law. An export permit required by the law must be obtained, if they are to be exported. Contact us for more details.

KITZ CORPORATION

1-10-1, Nakase, Mihama-ku, Chiba 261-8577, Japan
International Sales Dept. Phone: 81-43-299-1730, 1732 and 1733
Fax: 81-43-299-0121 and 0122